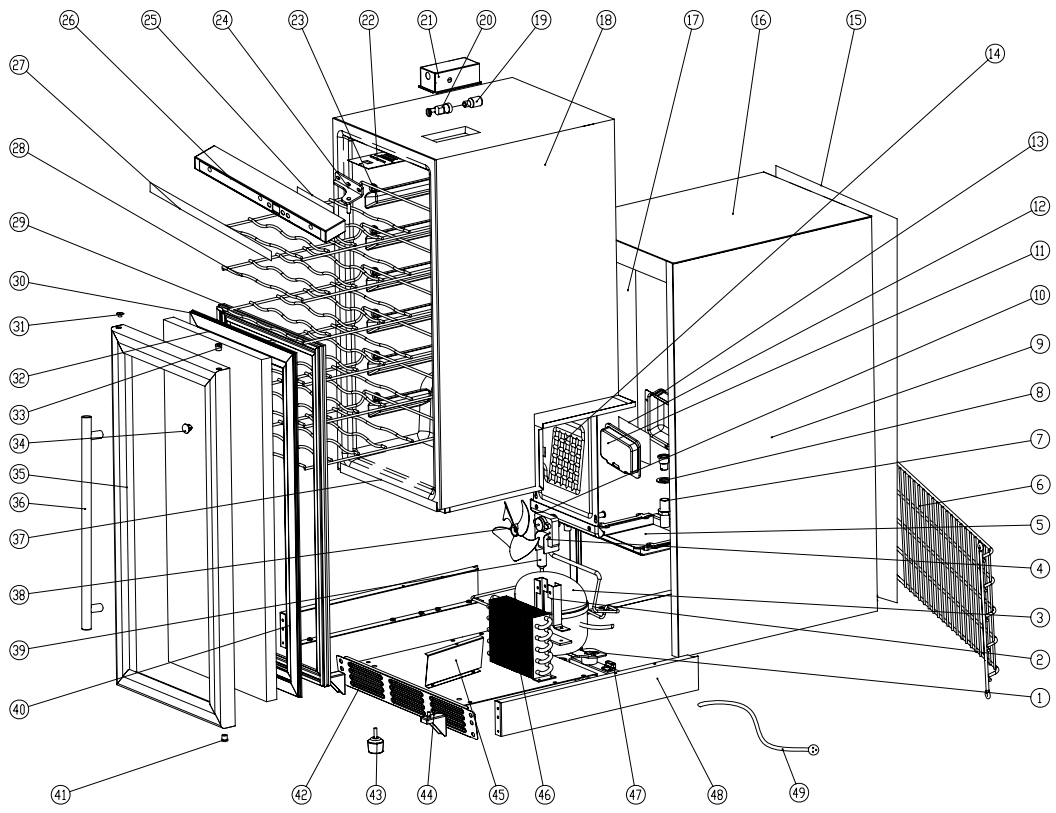


# VT32 Explode Drawing



# VT32 PARTS LIST

## NAME

- |                               |                                     |
|-------------------------------|-------------------------------------|
| 1. Gasket                     | 26. Temperature display board cover |
| 2. Supporter of fan motor     | 27. PVC sticker                     |
| 3. Compressor                 | 28. Rack                            |
| 4. Fan motor                  | 29. Door gasket                     |
| 5. Drip pan                   | 30. Plastic door frame              |
| 6. Back retiarey cover        | 31. Door hinge cover                |
| 7. Pipe of seeper             | 32. Glass                           |
| 8. Seal gasket                | 33. Up door hinge jacket            |
| 9. Right side panel           | 34. Door Stopple                    |
| 10. Drip tray                 | 35. Aluminum door frame             |
| 11. Junction box              | 36. Door handle                     |
| 12. Main control board        | 37. Motherboard                     |
| 13. Back cover box            | 38. Blade                           |
| 14. Evaporator                | 39. Filter                          |
| 15. Back panel                | 40. Block1                          |
| 16. Top panel                 | 41. Down door jacket                |
| 17. Left side board           | 42. Grill                           |
| 18. Inner liner               | 43. Feet                            |
| 19. Lamp                      | 44. Down door hinge                 |
| 20. Lamp holder               | 45. Separater                       |
| 21. Lamp box                  | 46. Condenser                       |
| 22. Lamp cover board          | 47. Wire clip                       |
| 23. Rack blocker              | 48. Block2                          |
| 24. Up door hinge             | 49. Power Cord                      |
| 25. Temperature Display Board |                                     |